

CLASSIC DIMENSIONS

Dimensions of our Classic ICON Bunk Beds. If maximum recommended size of mattress is used each bed size provides 3/4" of bedding tolerance on all 4 sides of the mattress. Customer is responsible for measuring their room to ensure selected ICON product will fit.

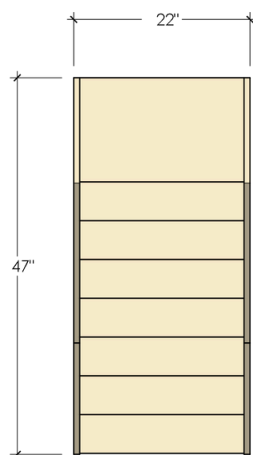
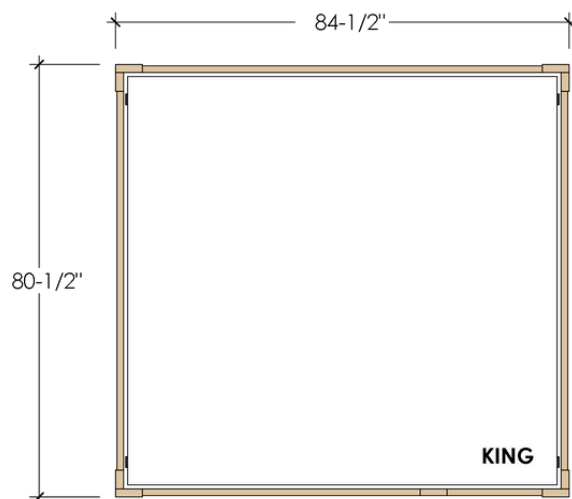
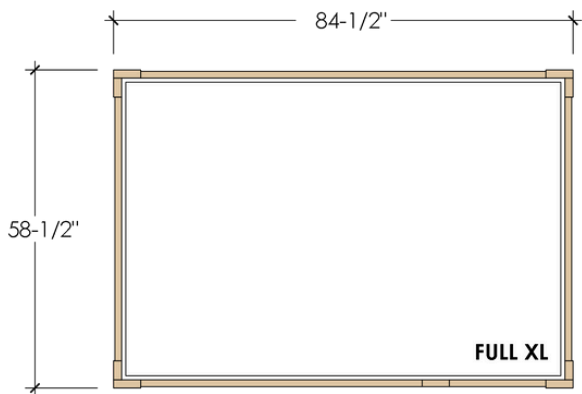
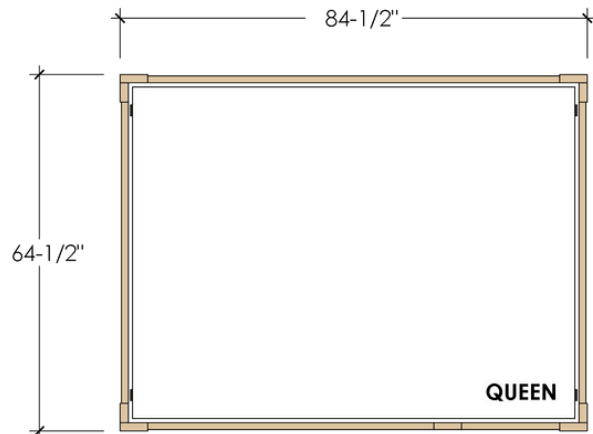
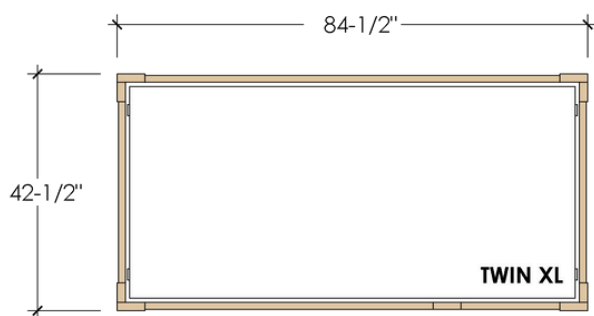
Mattress Sizes:

Twin XL - 38" wide x 80" long x 10" tall

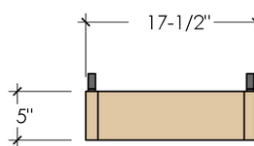
Full XL - 54" wide x 80" long x 10" tall

Queen - 60" wide x 80" long x 10" tall

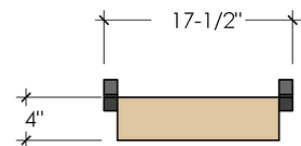
King - 76" wide x 80" long x 10" tall



STAIR TOWER



WOODEN LADDER



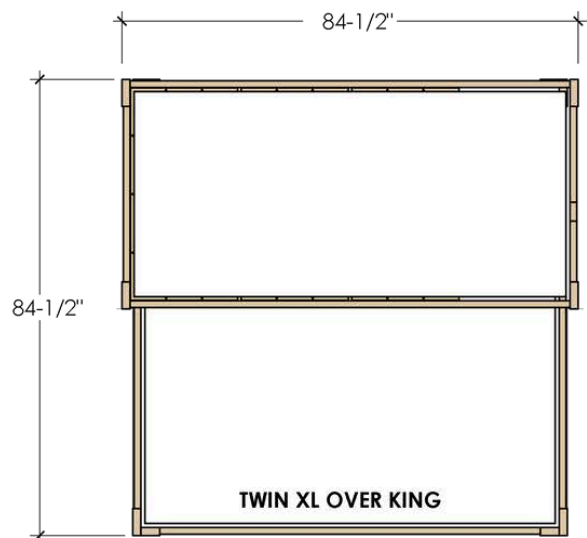
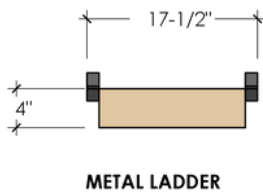
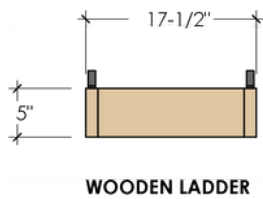
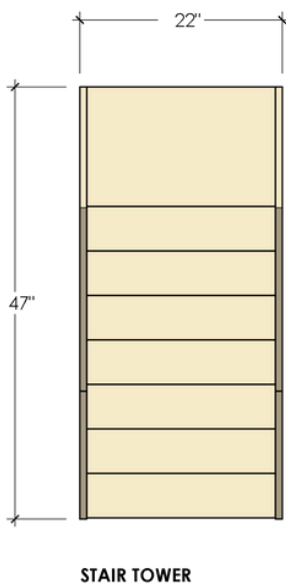
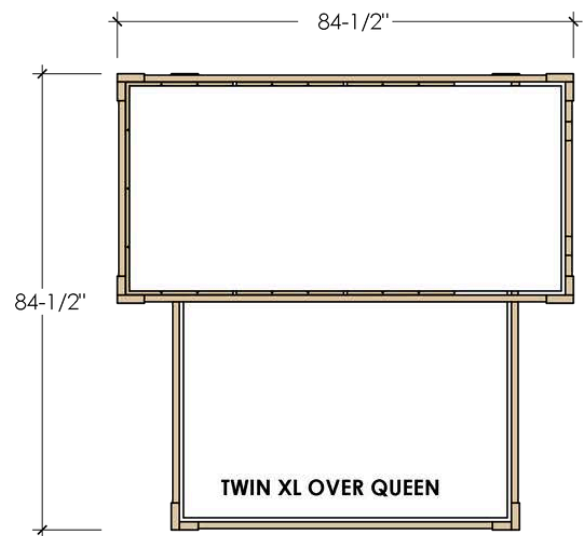
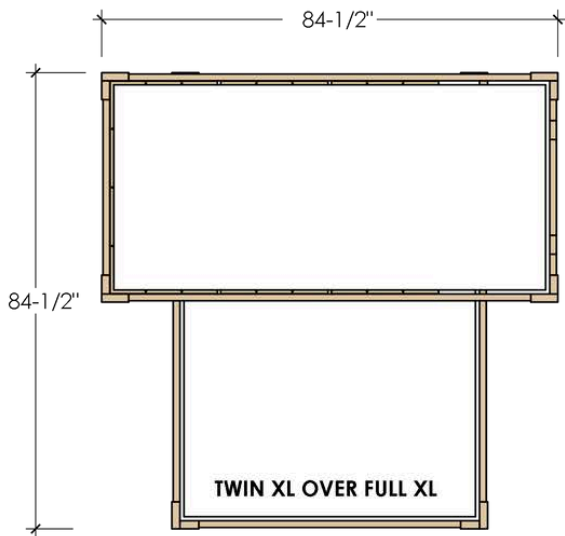
METAL LADDER

LOFTED DIMENSIONS

Dimensions of our Lofted ICON Bunk Beds. If maximum recommended size of mattress is used each bed size provides 3/4" of bedding tolerance on all 4 sides of the mattress. Customer is responsible for measuring their room to ensure selected ICON product will fit.

Mattress Sizes:

- Twin XL - 38" wide x 80" long x 10" tall
- Full XL - 54" wide x 80" long x 10" tall
- Queen - 60" wide x 80" long x 10" tall
- King - 76" wide x 80" long x 10" tall



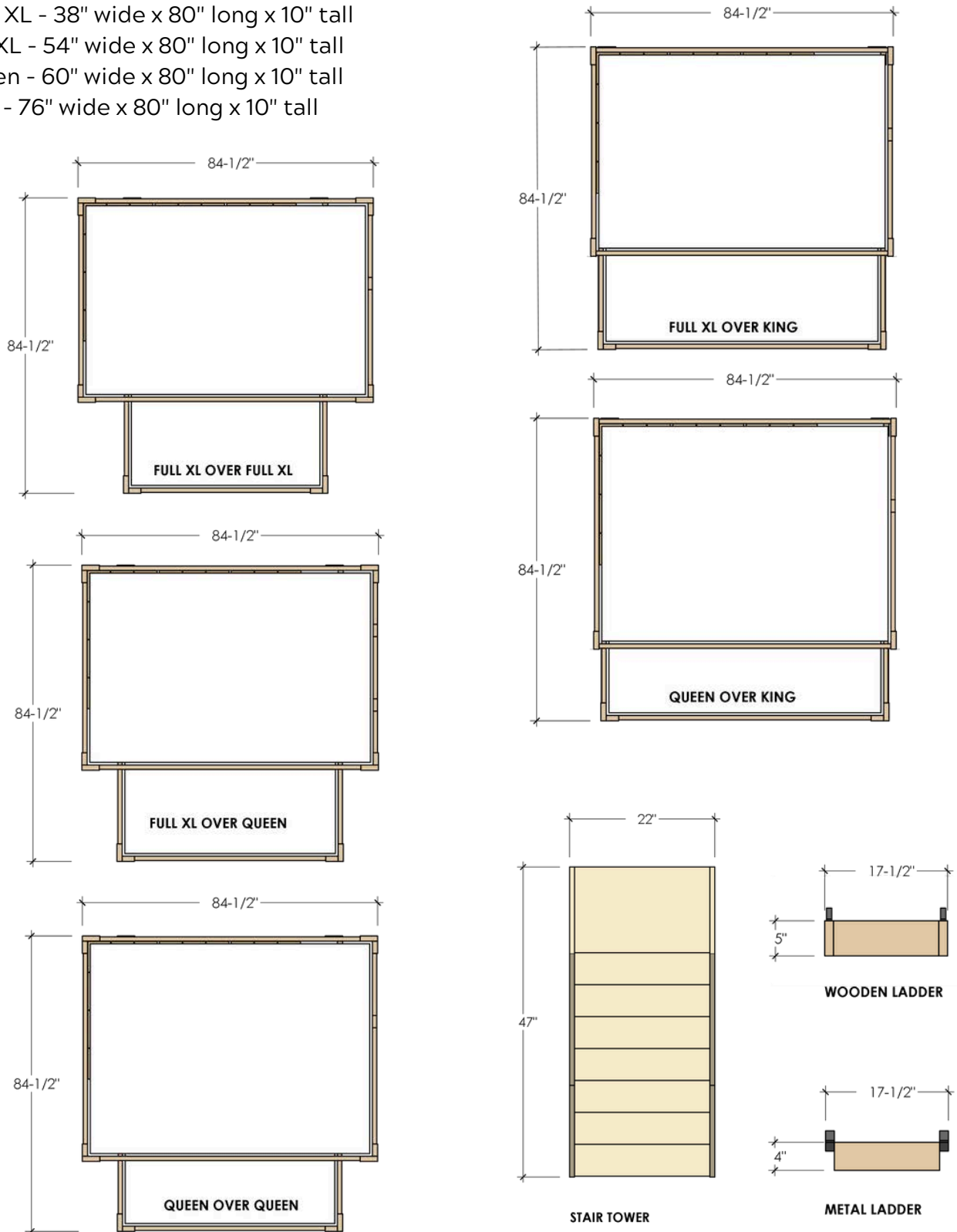
ADDITIONAL SIZES ON NEXT PAGE

LOFTED DIMENSIONS

Dimensions of our Lofted ICON Bunk Beds. If maximum recommended size of mattress is used each bed size provides 3/4" of bedding tolerance on all 4 sides of the mattress. Customer is responsible for measuring their room to ensure selected ICON product will fit.

Mattress Sizes:

- Twin XL - 38" wide x 80" long x 10" tall
- Full XL - 54" wide x 80" long x 10" tall
- Queen - 60" wide x 80" long x 10" tall
- King - 76" wide x 80" long x 10" tall

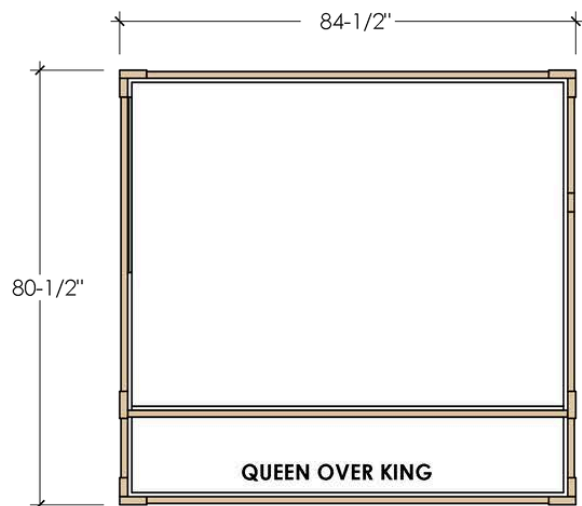
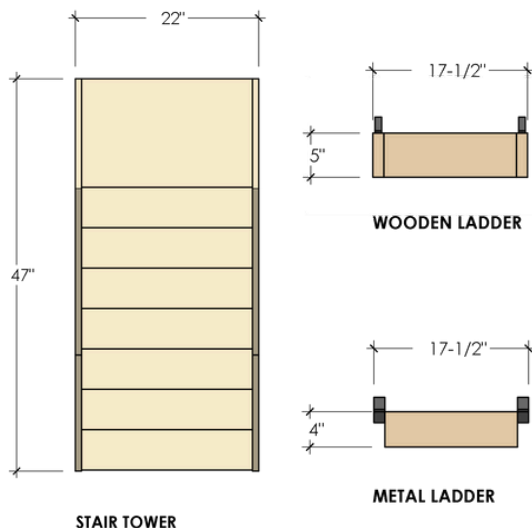
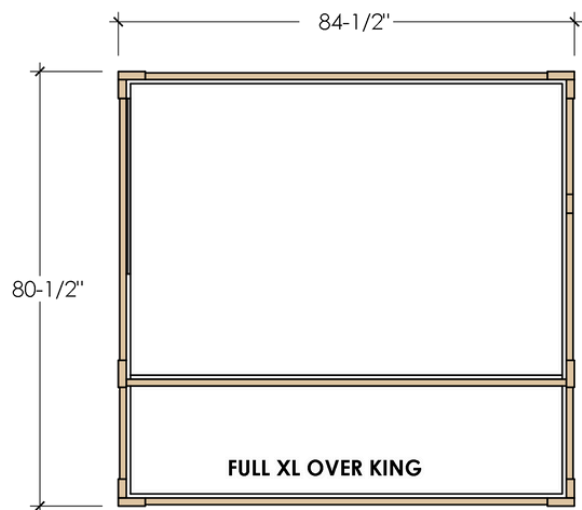
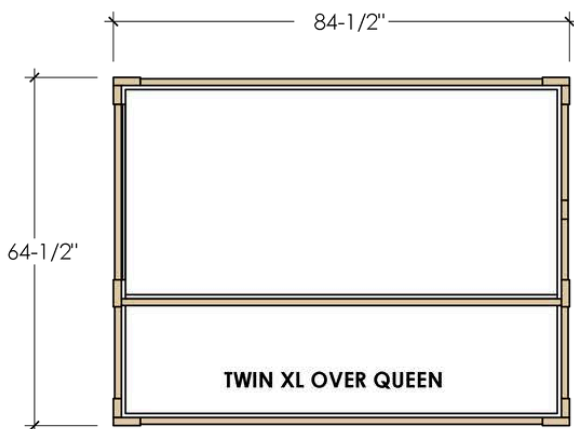
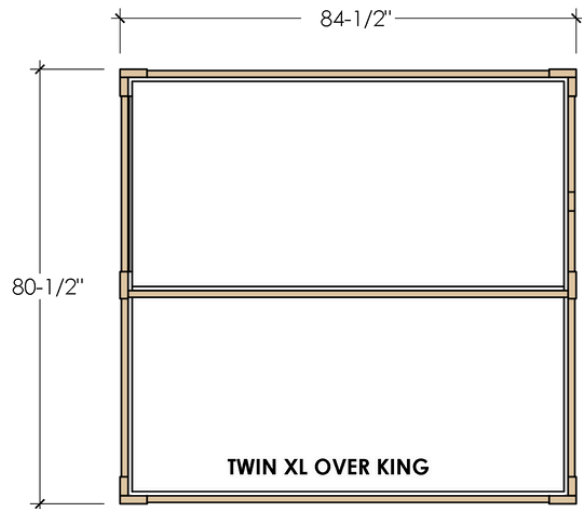
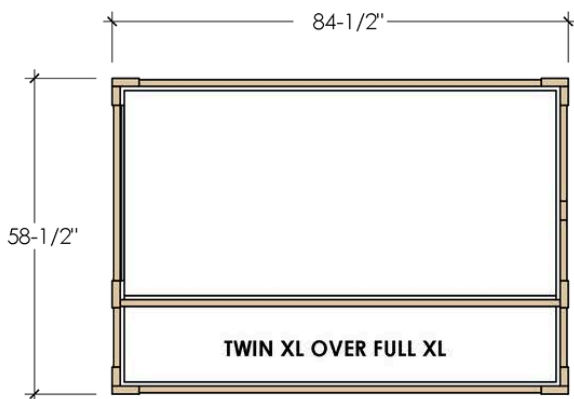


STACKABLE DIMENSIONS

Dimensions of our Stackable ICON Bunk Beds. If maximum recommended size of mattress is used each bed size provides 3/4" of bedding tolerance on all 4 sides of the mattress. Customer is responsible for measuring their room to ensure selected ICON product will fit.

Mattress Sizes:

- Twin XL - 38" wide x 80" long x 10" tall
- Full XL - 54" wide x 80" long x 10" tall
- Queen - 60" wide x 80" long x 10" tall
- King - 76" wide x 80" long x 10" tall



LUXE HEIGHT ELEVATIONS

ICON Bunks should be used with a 10" or less mattress to maximize head height and ensure safety railings are tall enough. Customer is responsible for measuring their room to ensure selected ICON product will fit.

Please refer to this elevation to calculate head height and work with your builder to place electrical - if applicable.

Head spacing is as follows:

Lower Bunk (with 10" mattress) - 42.25"

Upper Bunk (with 10" mattress) for a standard 9' Ceiling - 40.75"

Upper Bunk (with 10" mattress) for a standard 10' Ceiling - 52.75"

9' and 10' LUXE models are built to allow for 1.5" tolerance to the ceiling.

