



ICON

— BUNKS —



TABLE OF CONTENTS

PAGE 4

WHICH ICON IS RIGHT FOR YOU?

With fully customizable bunks, the options are endless. Refer to the chart on page 4 to determine which ICON Bunk is right for you!

PAGE 5

COMPANY INFO / HISTORY

A brief history of our company and how ICON Bunks came to be!

PAGE 7

ICON STANDARD

The ICON Bunk comes in a classic bunk bed layout with wooden safety rails and a metal ladder. Select your bed size, finish and ladder location.

PAGE 8

ICON ELEVATED

Enhance your bunk room with ICON ELEVATED. Choose from three different layouts, multiple safety rails styles, additional finishes and more!

PAGE 9

ICON LUXE

A canopy style bunk bed, ICON Luxe is inspired by over 20 years of being a custom bunk room builder for the world's most prestigious clients.

PAGE 10-11

UPGRADES - ELEVATED & LUXE

Want a more built-in look while keeping the ease of a freestanding bunk system? Add integrated lighting, upholstered panels and more.

PAGE 13

FINISHES - ELEVATED & LUXE

ICON Bunks are handcrafted in the USA from solid wood. Time honored stains that have been developed to enhance the natural beauty of our bunk rooms.

PAGE 14-18

DIMENSIONS

Full dimensions for each of our ICON Bunk models so you can easily decide which bunk bed works for you.

PAGE 19-20

LADDER & STAIR LOCATIONS

Choose from multiple ladder locations to design a bunk room that works for your space!

PAGE 21-22

WARRANTY & MAINTENANCE



SAFETY IS OUR TOP PRIORITY

At ICON Bunks, safety is paramount. We adhere to Consumer Safety Standards, ensuring peace of mind for every customer.

Which ICON Bunk is right for you?

	ICON STANDARD	ICON ELEVATED	ICON LUXE
Made in the USA	✓	✓	✓
Consumer Safety Compliant	✓	✓	✓
Handcrafted from Solid Wood	✓	✓	✓
Classic Layout	✓	✓	✓
Lofted Layout	✗	✓	✓
Stackable Layout	✗	✓	✗
Wood Species	Ash	White Oak	White Oak
Finishes Available	3	6	6
Ladder Locations Available	2	8	8
Safety Railings Available	Wood	Wood, Metal, Upholstered	Wood, Metal, Upholstered
Top Bunk Access Options	Metal Ladder	Metal Ladder, Wood Ladder or Stairs	Metal Ladder, Wood Ladder or Stairs
Integrated Electrical - Plug In Bunk Bed with reading light	✗	Available in Lower Bunk	Available in Lower & Upper Bunk
Bunk Paneling - Wood or Upholstery	✗	Available in Lower Bunk	Available in Lower & Upper Bunk
Canopy Style Bunk	✗	✗	9', 10' or Custom Ceiling Heights
White Glove Install	✗	✓	✓
Price Range - MSRP (Ask About our Trade Program)	Starts at \$6,699	Starts at \$8,499	Starts at \$12,499

If you would like assistance determining which ICON Bunk is right for you please don't hesitate to contact us. We look forward to working with you!

Main Office:

info@iconbunks.com
406-539-6875

Trade Program:

trade@iconbunks.com



ABOUT US

Since 2004, our parent company - RN Design - has been building custom, built-in bunk rooms for some of the world's most exclusive developments.

Now you can benefit from our years of bunk room experience with ICON Bunks! A luxury, adult bunk bed that is also safe and suitable for children, ICON Bunks were designed to offer a high quality alternative to other freestanding bunks.

Handcrafted in Montana out of solid wood, they are easily assembled by homeowners or handymen. ICON Bunks will elevate your home, vacation rental property or boutique hotel. We can't wait to work with you!



TRADE PROGRAM

Are you an interior designer, contractor or other member of the industry? We have a long standing history of working directly with trade members and are proud to offer a Trade Program with discounts off MSRP, benefits and more! Contact us today: trade@iconbunks.com

HANDCRAFTED IN THE USA

SOLID WOOD CONSTRUCTION
HANDCRAFTED FOR YOU



THE ICON STANDARD

A luxury adult bunk bed - handcrafted in the USA and delivered to your door. The ICON Bunk comes in a classic bunk bed layout with wooden safety rails and a metal ladder. The ladder has wood treads for safe and comfortable climbing.

The following customizations are available: Bed Size, Finish, Ladder Location.

Full dimensions can be found on page 14 and 17.

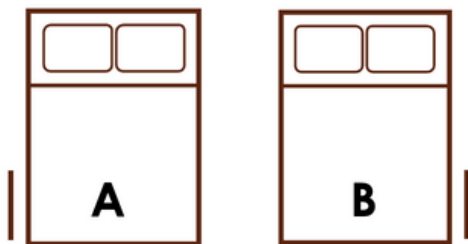
Wood Species: Ash



CHOOSE YOUR BUNK SIZE

- Twin XL
- Full XL
- Queen
- King

CHOOSE YOUR LADDER LOCATION



CHOOSE YOUR ICON FINISH



Dove Grey (Ash)



Driftwood (Ash)



Woodsmoke (Ash)

ICON ELEVATED

Bunks come standard with wood railings and metal ladder. Available customizations listed below. Find full dimensions on Pages 14-18.

Wood Species: White Oak

Safety Railings: Wood (included), Metal or Upholstered

Top Bunk Access Options: Metal Ladder (included), Wood Ladder or Stairs

Access Locations To Choose From: See Pages 19-20

Finishes: Desert Sands, Dove Grey, Driftwood, Natural, Woodsmoke, Brushed Iron (Pg 13)

Other Upgrades: See Pages 10-11



ICON CLASSIC

Available Sizes:

- Twin XL Standard Twin
- Full XL Standard Full
- Queen
- King

Classic Dimensions - Page 14



ICON LOFTED

Available Sizes:

- Twin XL over Full XL Full XL over Queen
- Twin XL over Queen Queen over Queen
- Full XL over Full XL

Lofted Dimensions - Page 15



ICON STACKABLE

Available Sizes:

- Twin XL over Full XL
- Twin XL over Queen
- Twin XL over King
- Full XL over King
- Queen over King

Stackable Dimensions - Page 16



ICON LUXE

Our top-of-the-line ICON Luxe bunks are a canopy style bunk bed to give a luxurious, built-in feel. ICON Luxe bunks come standard with wood railings and metal ladder.

Find full dimensions on Pages 14-16 and Page 18.

Available Ceiling Heights: 9' , 10' or ask about Custom Ceiling Heights

Wood Species: White Oak

Safety Railings: Wood (included), Metal or Upholstered

Top Bunk Access Options: Metal Ladder (included), Wood Ladder or Stairs

Access Locations To Choose From: See Pages 19-20

Finishes: Desert Sands, Dove Grey, Driftwood, Natural, Woodsmoke, Brushed Iron (Pg 13)

Other Upgrades: See Pages 10-11

**Available in all
Classic and Lofted
ICON Bunks sizes.**



CLASSIC UPGRADES

ICON Bunks come standard with wood railings and a metal ladder. Customize your bunk with any of the following to make it uniquely yours!



WOOD LADDER

If you'd like a ladder that matches the beautiful wood construction of your bunk, select this handmade wooden ladder. Integrated handholds for easy climbing and solid wood that matches your selected finish.

METAL RAILINGS

Create the perfect aesthetic for your new bunk room with metal safety railings. These metal railings match our metal ladder perfectly for a distinct contrast between the White Oak.



UPHOLSTERED RAILINGS

Add softness and sophistication to your ICON Bunk with upholstered safety railings. Fabric is performance quality, white boucle. Revolution, Southpaw, Boucle - White

COM available through our Trade Program!

STAIRS - WITH DRAWERS

The most graceful way to reach the top bunk is found in our stair design.

If you're interested in additional storage space check out our hidden drawer option for some added utility. Drawers available for added fee.



CLASSIC UPGRADES

INTEGRATED LIGHTING



Experience enhanced functionality with ICON Bunks' latest innovation - integrated reading lights in our bunk beds. Just plug in your bunk bed to any standard outlet and you are ready to go! Sconce is WAC Scope.

UPHOLSTERED OR WOOD PANELS



Your freestanding bunk just got a built-in look! Now available with ICON Elevated or Luxe - choose upholstered or wood paneling. Paneling available where bunk is up against a wall or another ICON Bunk.

BESPOKE HEIRLOOM BUNK BEDS

ICON Elevated, Queen Size Classic, Wood Rails, Meal Ladder, Natural Finish on White Oak

FINISHES ELEVATED & LUXE

Time honored stains that have been developed over the years to enhance the natural beauty of our bunk rooms. ICON Elevated & Luxe are finished by hand on White Oak.



Dove Grey



Desert Sands



Driftwood



Woodsmoke



Brushed Iron



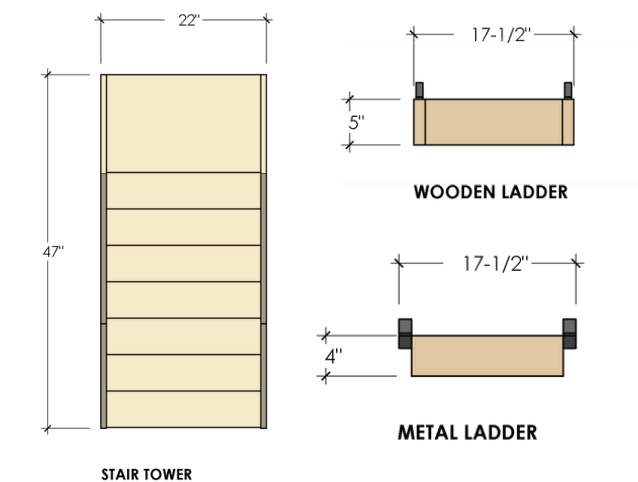
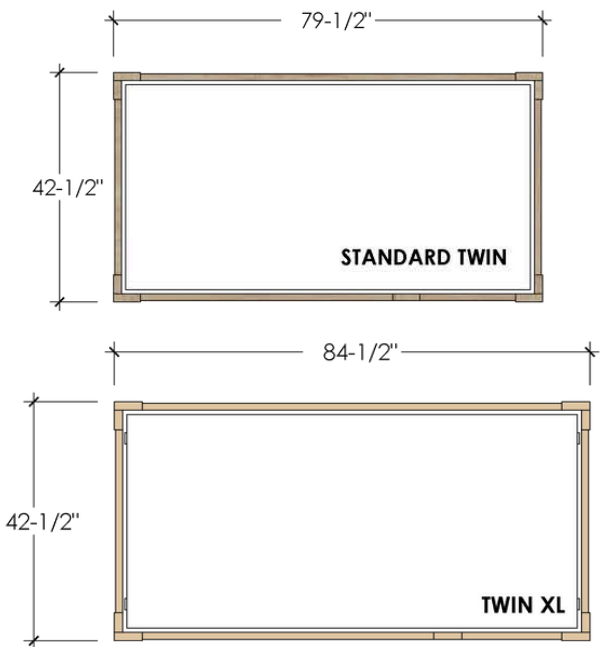
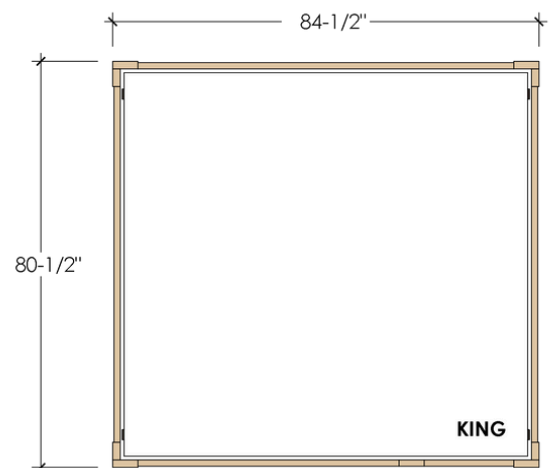
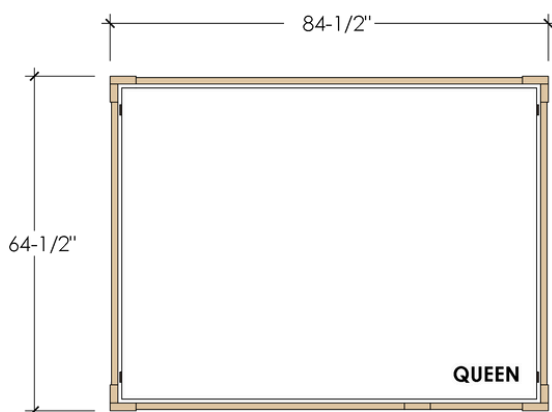
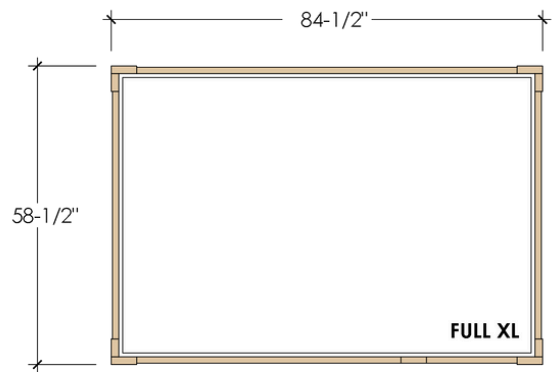
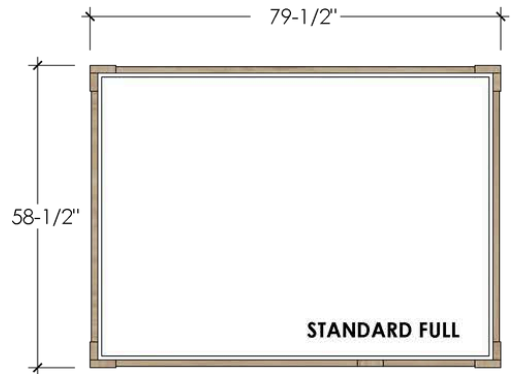
Natural

CLASSIC DIMENSIONS

Dimensions of our Classic ICON Bunk Beds. If maximum recommended size of mattress is used each bed size provides 3/4" of bedding tolerance on all 4 sides of the mattress. Customer is responsible for measuring their room to ensure selected ICON product will fit.

Mattress Sizes:

- Standard Twin - 38" wide x 75" long x 10" tall
- Twin XL - 38" wide x 80" long x 10" tall
- Standard Full - 54" wide x 75" long x 10" tall
- Full XL - 54" wide x 80" long x 10" tall
- Queen - 60" wide x 80" long x 10" tall
- King - 76" wide x 80" long x 10" tall



LOFTED DIMENSIONS

Dimensions of our Lofted ICON Bunk Beds. If maximum recommended size of mattress is used each bed size provides 3/4" of bedding tolerance on all 4 sides of the mattress. Customer is responsible for measuring their room to ensure selected ICON product will fit.

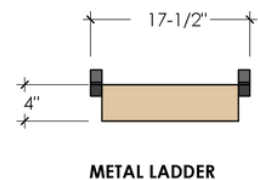
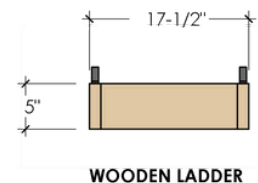
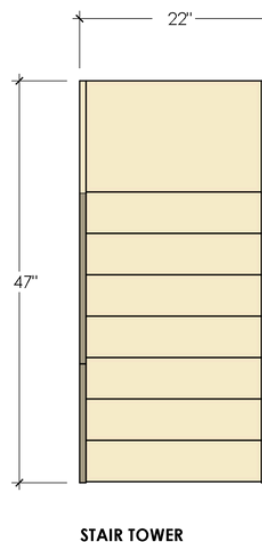
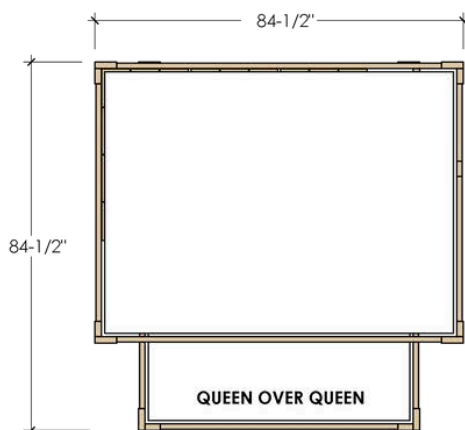
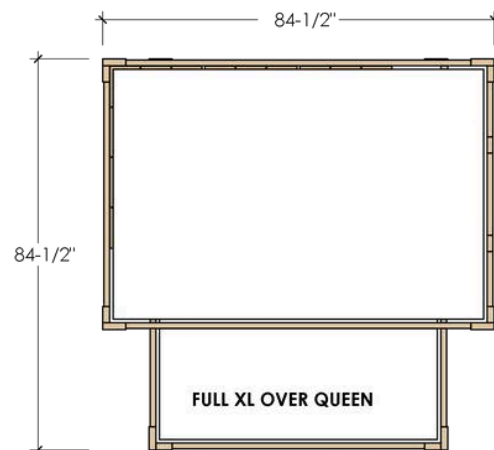
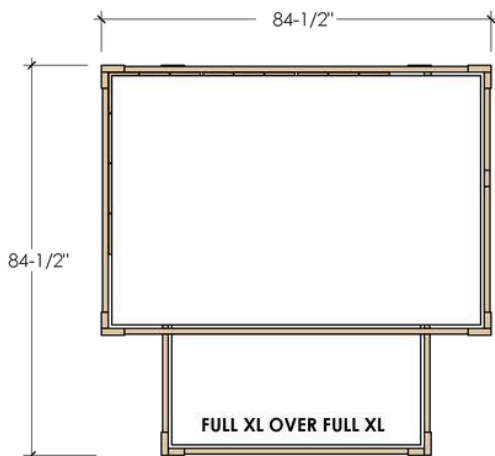
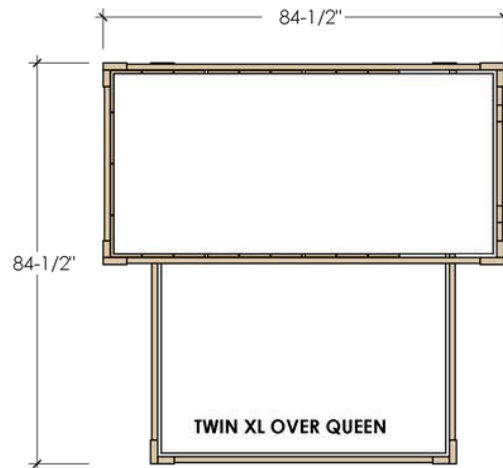
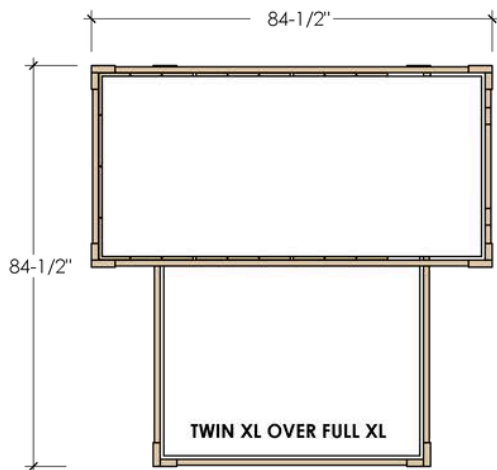
Mattress Sizes:

Twin XL - 38" wide x 80" long x 10" tall

Full XL - 54" wide x 80" long x 10" tall

Queen - 60" wide x 80" long x 10" tall

King - 76" wide x 80" long x 10" tall

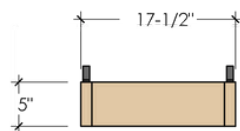
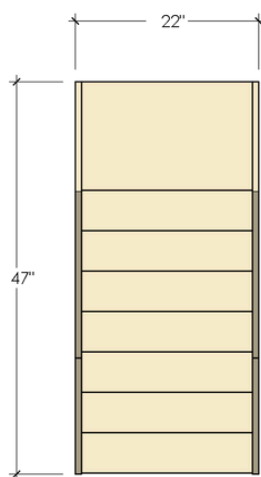
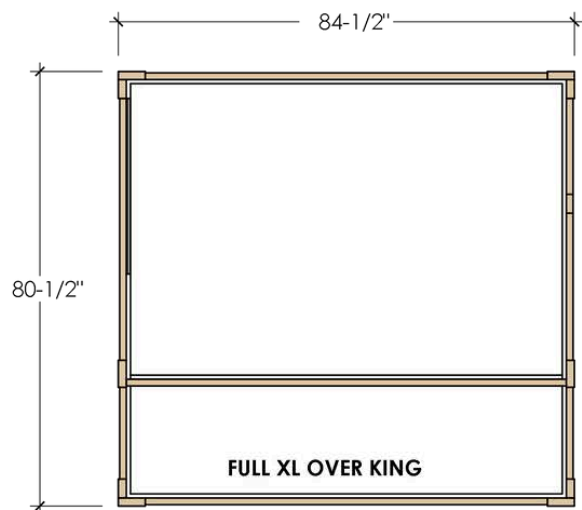
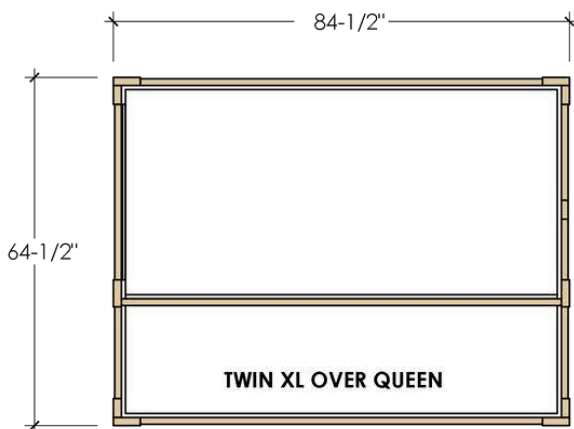
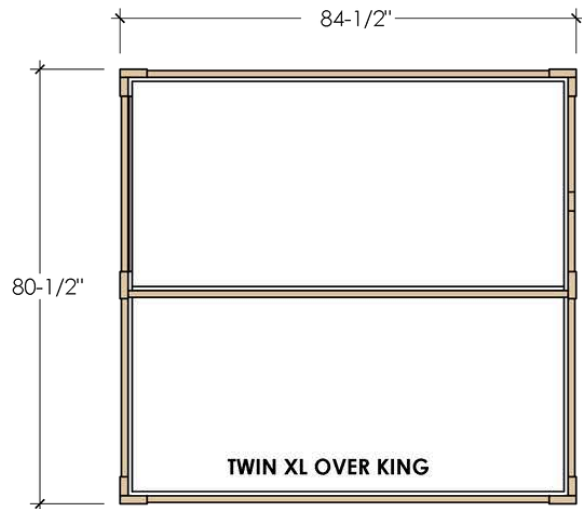
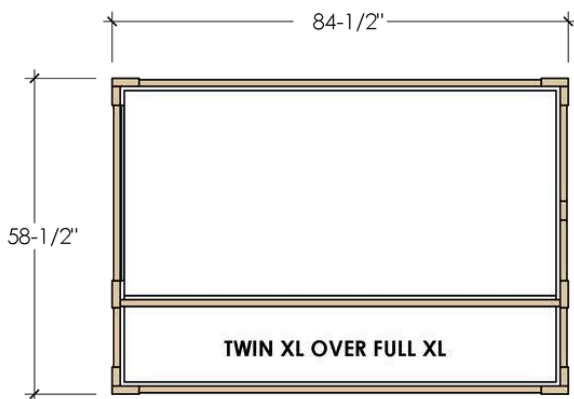


STACKABLE DIMENSIONS

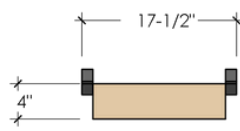
Dimensions of our Stackable ICON Bunk Beds. If maximum recommended size of mattress is used each bed size provides 3/4" of bedding tolerance on all 4 sides of the mattress. Customer is responsible for measuring their room to ensure selected ICON product will fit.

Mattress Sizes:

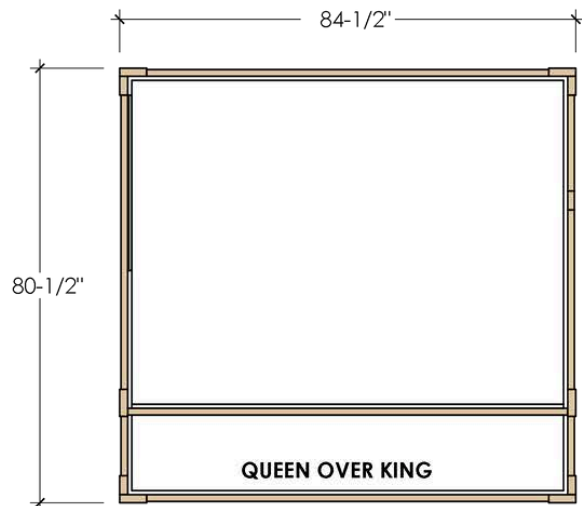
- Twin XL - 38" wide x 80" long x 10" tall
- Full XL - 54" wide x 80" long x 10" tall
- Queen - 60" wide x 80" long x 10" tall
- King - 76" wide x 80" long x 10" tall



WOODEN LADDER



METAL LADDER



HEIGHT ELEVATIONS

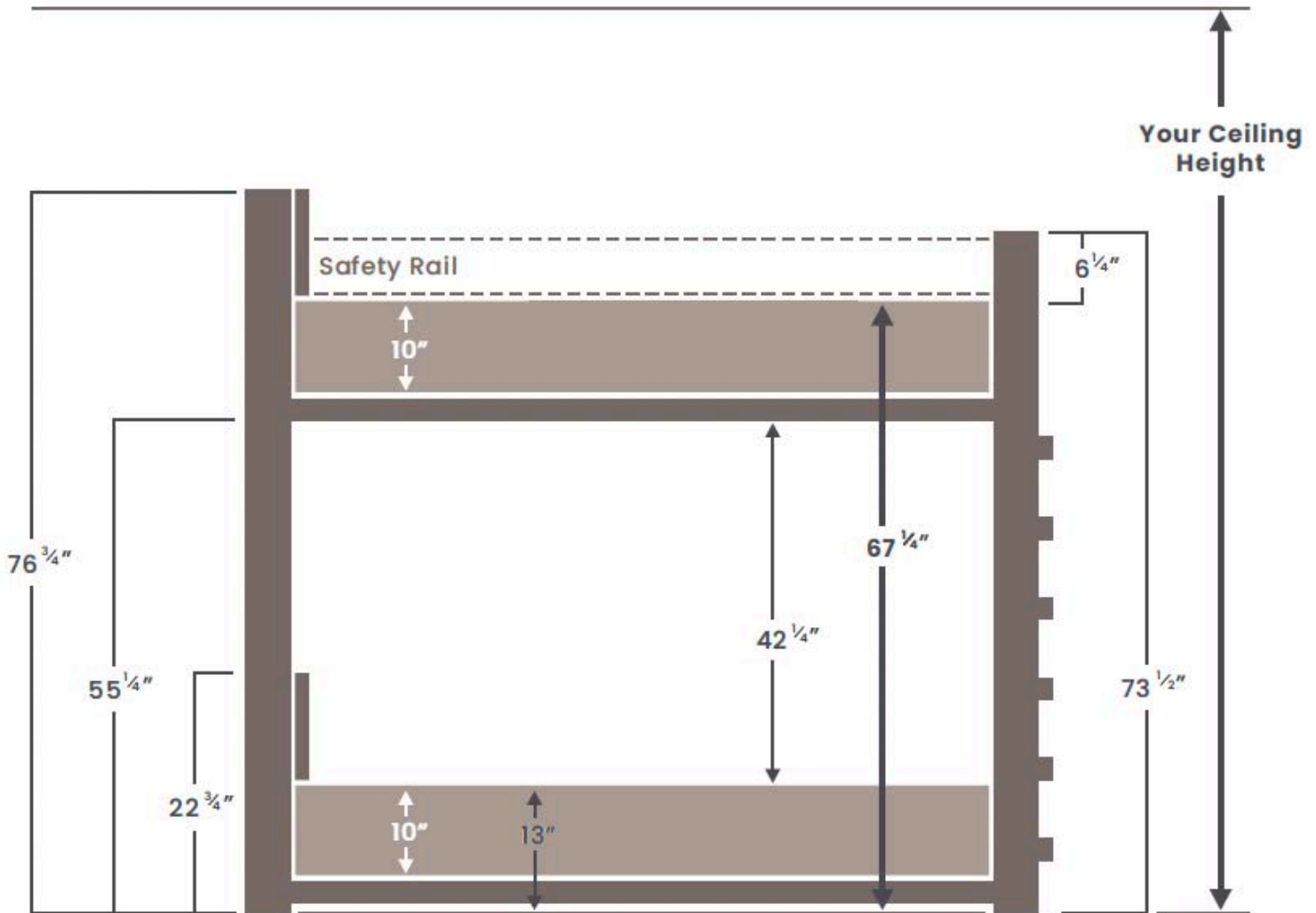
ICON Bunks should be used with a 10" or less mattress to maximize head height and ensure safety railings are tall enough. Customer is responsible for measuring their room to ensure selected ICON product will fit.

Please refer to this elevation to calculate head height and work with your builder to place electrical - if applicable.

Head spacing is as follows:

Lower Bunk (with 10" mattress) - 42.25"

Upper Bunk (with 10" mattress) - Take Your Ceiling Height in inches and subtract 67.25"



LUXE HEIGHT ELEVATIONS

ICON Bunks should be used with a 10" or less mattress to maximize head height and ensure safety railings are tall enough. Customer is responsible for measuring their room to ensure selected ICON product will fit.

Please refer to this elevation to calculate head height and work with your builder to place electrical - if applicable.

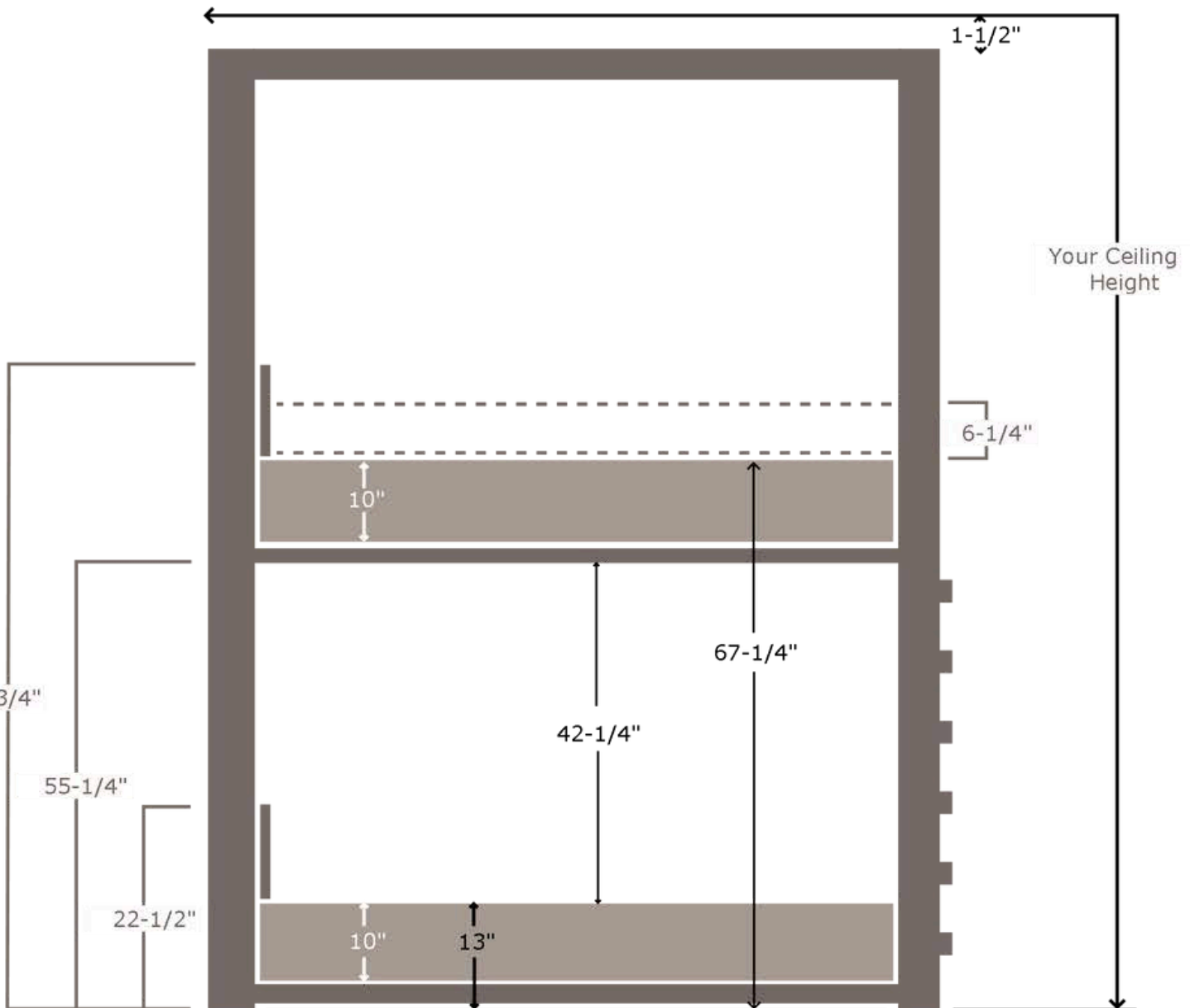
Head spacing is as follows:

Lower Bunk (with 10" mattress) - 42.25"

Upper Bunk (with 10" mattress) for a standard 9' Ceiling - 40.75"

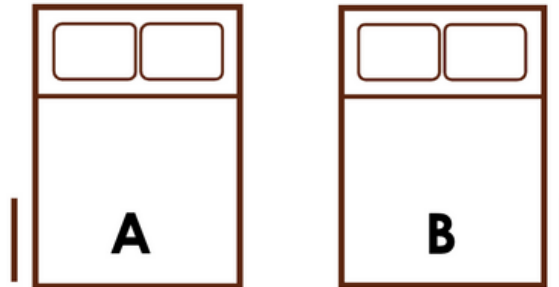
Upper Bunk (with 10" mattress) for a standard 10' Ceiling - 52.75"

9' and 10' LUXE models are built to allow for 1.5" tolerance to the ceiling.

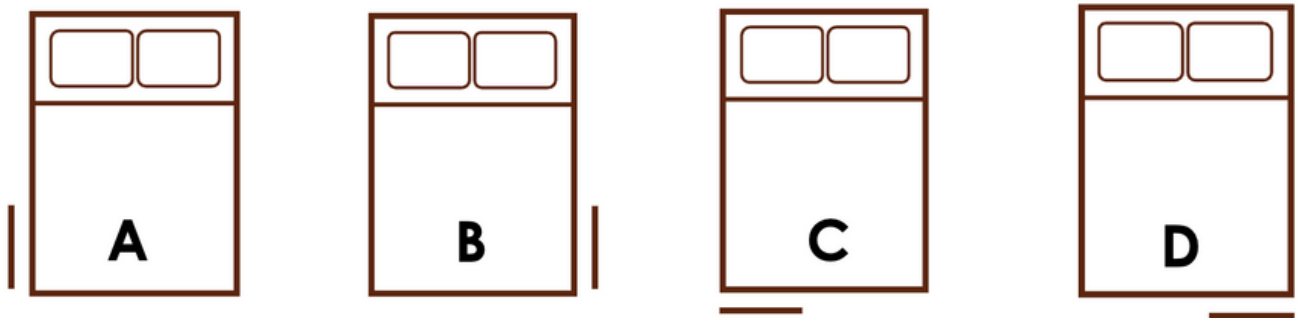


LADDER & STAIR LOCATIONS

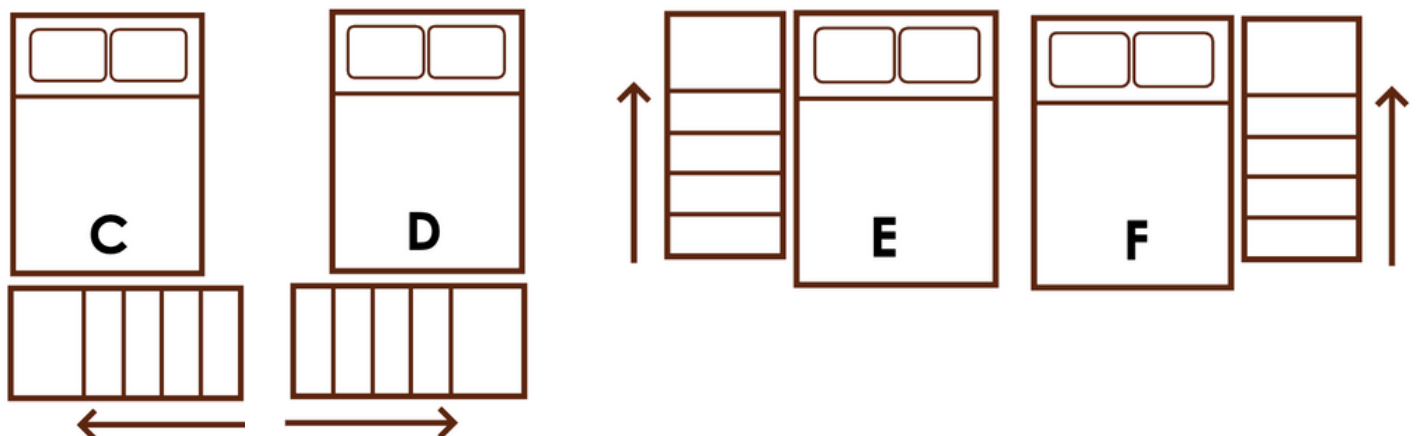
ICON LADDER LOCATIONS



ELEVATED & LUXE LADDER LOCATIONS - CLASSIC

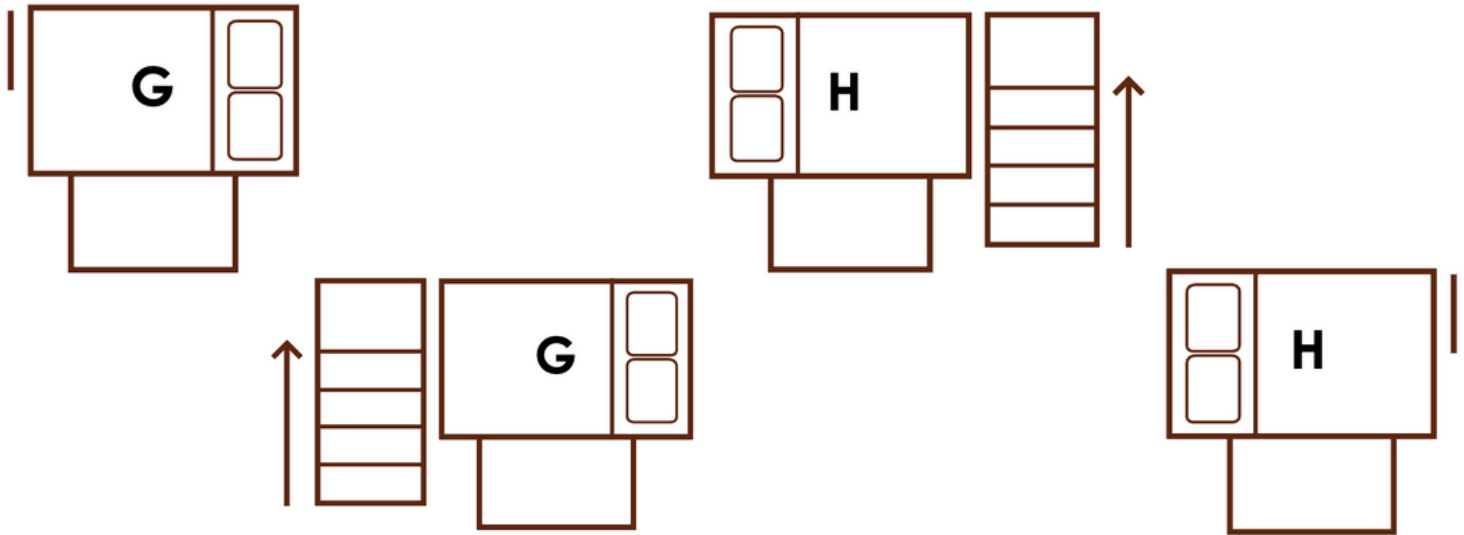


ELEVATED & LUXE STAIR LOCATIONS - CLASSIC

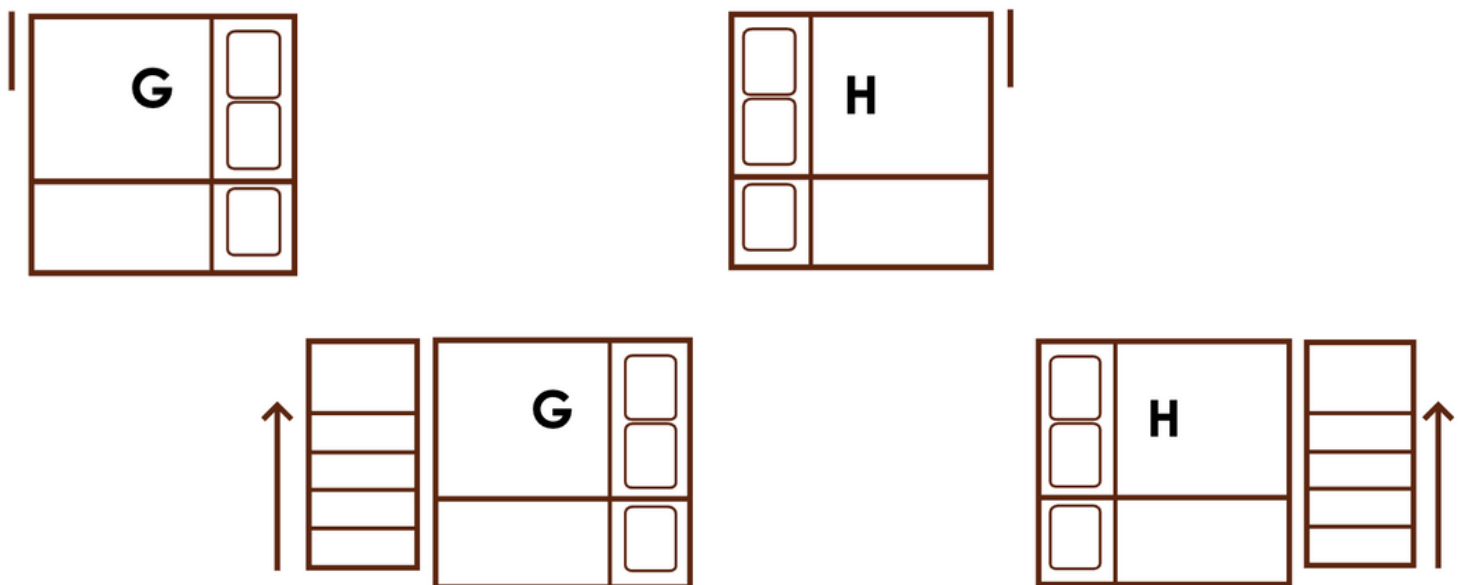


LADDER & STAIR LOCATIONS

ELEVATED & LUXE: LOFTED LADDER AND STAIR LOCATIONS



ELEVATED & LUXE: STACKABLE LADDER AND STAIR LOCATIONS



CARE & MAINTENANCE

To keep your ICON Bunk looking it's best for years to come, it's essential to follow proper care and maintenance practices. Here are some tips to help you preserve the beauty and longevity of your ICON Bunk.

1. Avoid Direct Sunlight

Direct sunlight can cause wood to fade and lose its natural luster. Place your furniture away from windows or use curtains and blinds to minimize exposure to harsh sunlight when possible. If the house is vacant, closing blinds or covering furniture is recommended.

2. Maintain Humidity Levels

Wood is sensitive to changes in humidity. Too much moisture can cause wood to swell and warp, while too little can make it dry out and crack. Maintain indoor humidity levels between 30% and 50%. Use a humidifier during dry months and a dehumidifier in humid conditions to keep the environment stable.

3. Regular Dusting

Dust your ICON Bunk regularly to prevent the buildup of dirt and grime, which can scratch the surface. Use a soft, lint-free cloth or a microfiber duster to gently remove dust. Avoid feather dusters as they can cause micro-scratches.

4. Proper Cleaning

For routine cleaning, use a damp (not wet) cloth to wipe down the furniture. Avoid using harsh chemicals, as they can damage the finish. Instead, use a mild soap solution on all surfaces. Always follow the instructions and test any cleaner on a small, inconspicuous area first.

6. Protect from Spills and Stains

To avoid water rings and stains, always use coasters, placemats. Clean up any spills immediately using a soft, absorbent cloth.

7. Prevent Scratches and Dents

Avoid dragging heavy objects across wooden surfaces. Keep sharp objects away from the furniture to prevent accidental scratches and dents. Many nicks and damages to the bed's surface result from accidental impacts during play. A good tip is to have a designated play area away from the bed to help avoid this scenario.

8. Regular Inspections

Periodically check your ICON Bunk for any signs of damage such as loose joints or cracks. Address these issues promptly to prevent them from worsening. Check ICON fastener connections every 6 months.

WARRANTY INFO

LIMITED LIFETIME

At ICON Bunks, we stand behind the quality of our products. However, we acknowledge that occasional errors and defects may occur during manufacturing. In the rare instance that any ICON Bunks covered by our Limited Lifetime Warranty fails due to material, workmanship, or manufacturing defect, we commit to providing the necessary parts or repair at no extra cost to the original purchaser.

Our Limited Lifetime Warranty assures you that any product you buy from us will be free from material, workmanship, or manufacturing defects throughout its lifetime, subject to the terms and conditions outlined in the warranty.

Under this warranty, ICON Bunks sole liability is limited to either replacing or repairing component parts or items covered by the warranty. Complete replacement of items will be considered only if defects cannot be resolved by replacing individual parts.

This warranty applies exclusively to the original purchaser and only for products used at the original shipping address, excluding rented, commercial, or non-residential usage, as well as items purchased "as-is" or second-hand. It covers normal household usage only.

We do not cover damages resulting from wear and tear, misuse, abuse, alterations, or improper maintenance. Please refer to ICON Bunks maintenance guidelines to ensure proper maintenance. Moving the furniture from its original delivery point voids the warranty. Additionally, damage caused by chemical treatments, exposure to sunlight, household humidity, liquids, or unauthorized alterations are not covered.

Any alterations made without ICON Bunks written authorization nullify the warranty.

Disclaimer: ICON Bunks provides no other express warranty regarding the furniture or its parts. We are not liable for extended warranties offered by vendors or third parties. We shall not be responsible for consequential or incidental damages, and our liability is limited to the purchase price of the product or its replacement. ICON Bunks is not responsible for warranty claims regarding integrated products.



ICON

— BUNKS —