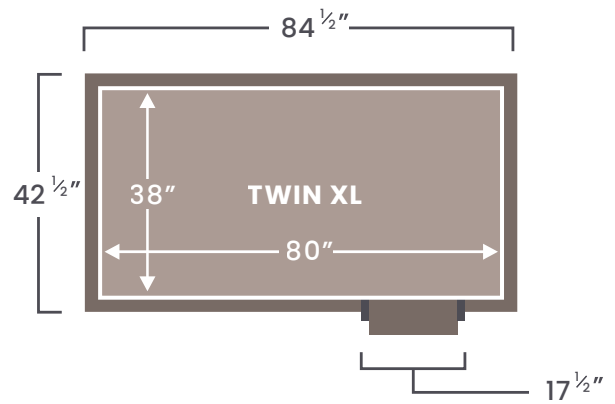
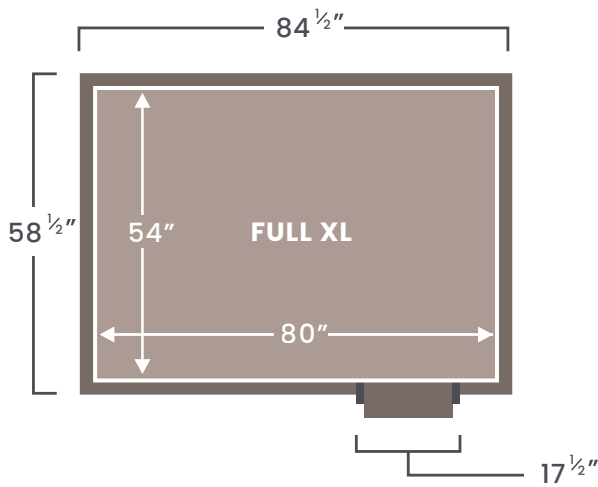
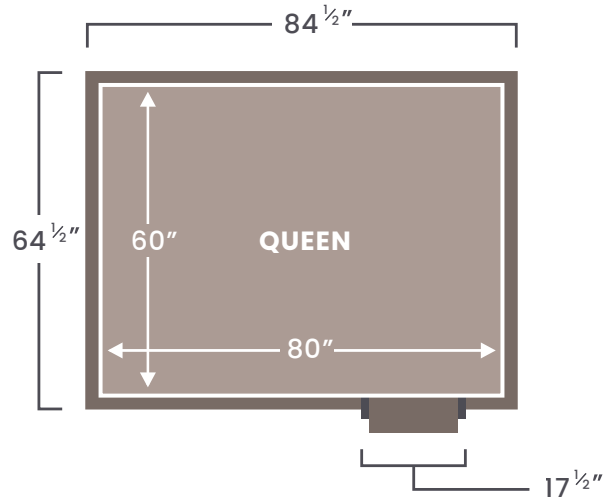
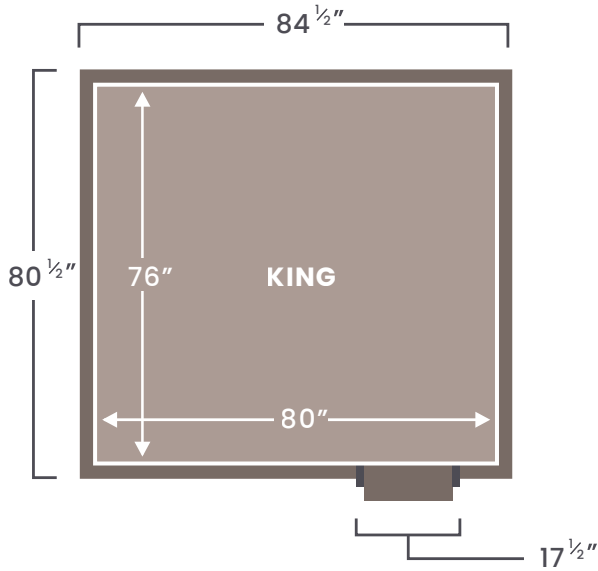


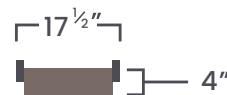
ICON CLASSIC DIMENSIONS



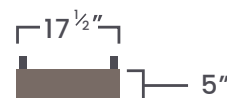
NOTE:

If maximum recommended size of mattress is used (as indicated by white dimension lines), each bed size provides 3/4" of bedding tolerance on all 4 sides of the mattress.

STEEL LADDER



WOODEN LADDER



STAIR TOWER

